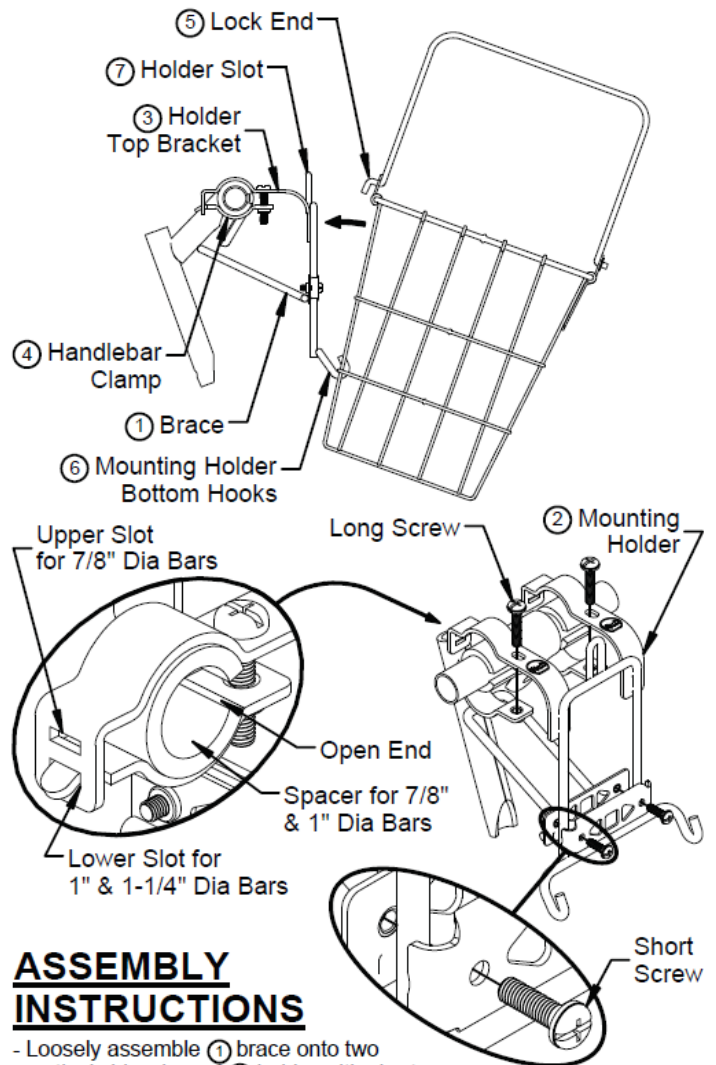
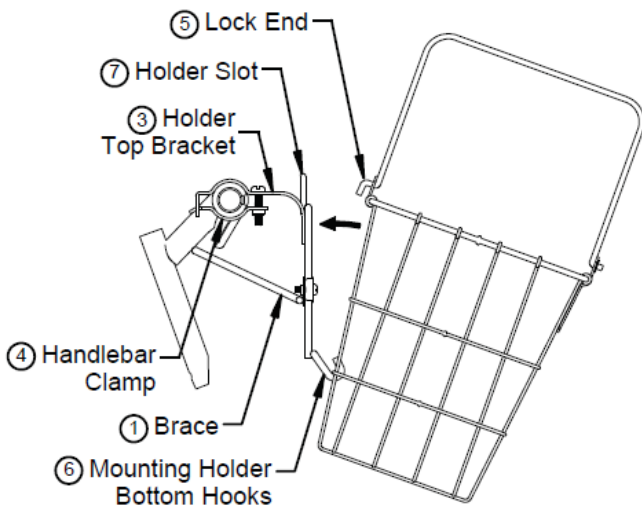


BICYCLE BASKET with handle & mounting holder

Now fits 7/8", 1" & 1-1/4" Dia. Bars
and comes with metric fasteners

- Basket easily removed for carrying
- Sized for grocery bag & many other uses
- Weather resistant powder coated finish.
- Extended Mounting Holder allows clearance for shifters, brake levers & cables



Patent No. D496,321

ASSEMBLY INSTRUCTIONS ON BACK



Proudly made in the U.S.A.

Mfgr. No.3114GB (Black)
©WALD LLC 2015
Rev.F, 6/18/2015



WARNING : This product contains a chemical known to the State of California to cause cancer.

ASSEMBLY INSTRUCTIONS

- Loosely assemble ① brace onto two vertical side wires of ② holder with short screws. Preferably angle brace upward toward Stem as shown.
- Center holder and hang ③ holder top brackets over handlebar.
 - If mounting to a 7/8" handlebar use upper slot on the holder ③ top bracket and if to a 1" or 1-1/4" handlebar, use lower slot.
 - If clamping onto a 7/8" or 1" portion of handlebar, insert rubber spacer as shown with open end towards screw.
 - Loosely assemble two ④ handlebar clamps with long screws.
- Attach basket to holder.
 - Hold basket so ⑤ lock end of handle is toward holder.
 - Center basket with holder and insert lower basket frame wire over bottom hooks of holder as shown.
 - Raise handle upright and insert ⑤ lock end of handle through ⑦ slot at top of holder.
 - Lay handle flat to lock.
- Adjust holder ① brace vertically on holder side wires until basket is in proper position.
- Remove basket from holder
 - Raise basket handle upright.
 - Pull away from holder and lift basket from bottom hooks of holder.
- Tighten all holder fittings securely.

!WARNING

- DO NOT overload basket. Overloading basket may cause difficulty in steering and/or loss of bicycle control which could result in injury.
- DO NOT use on bicycles with a carbon fiber handlebar.