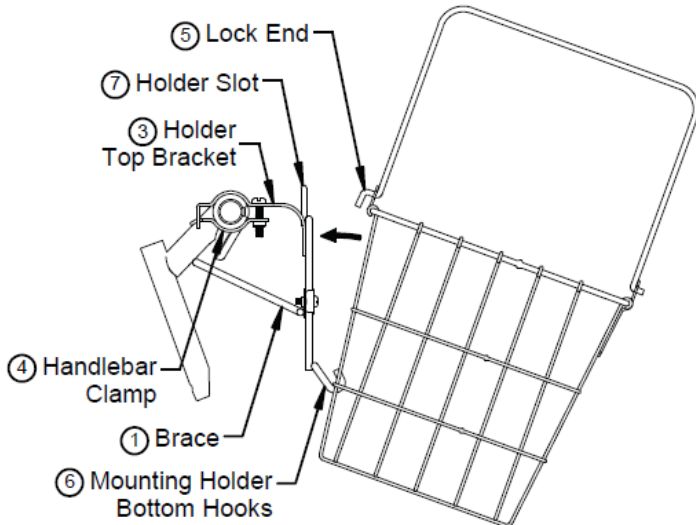


# BICYCLE BASKET with handle & mounting holder

Now fits 7/8", 1" & 1-1/4" Dia. Bars  
and comes with metric fasteners

- Basket easily removed for carrying
- Sized for grocery bag & many other uses
- Weather resistant powder coated finish.
- Extended Mounting Holder allows clearance for shifters, brake levers & cables



Patent No. D496,321

## ASSEMBLY INSTRUCTIONS ON BACK



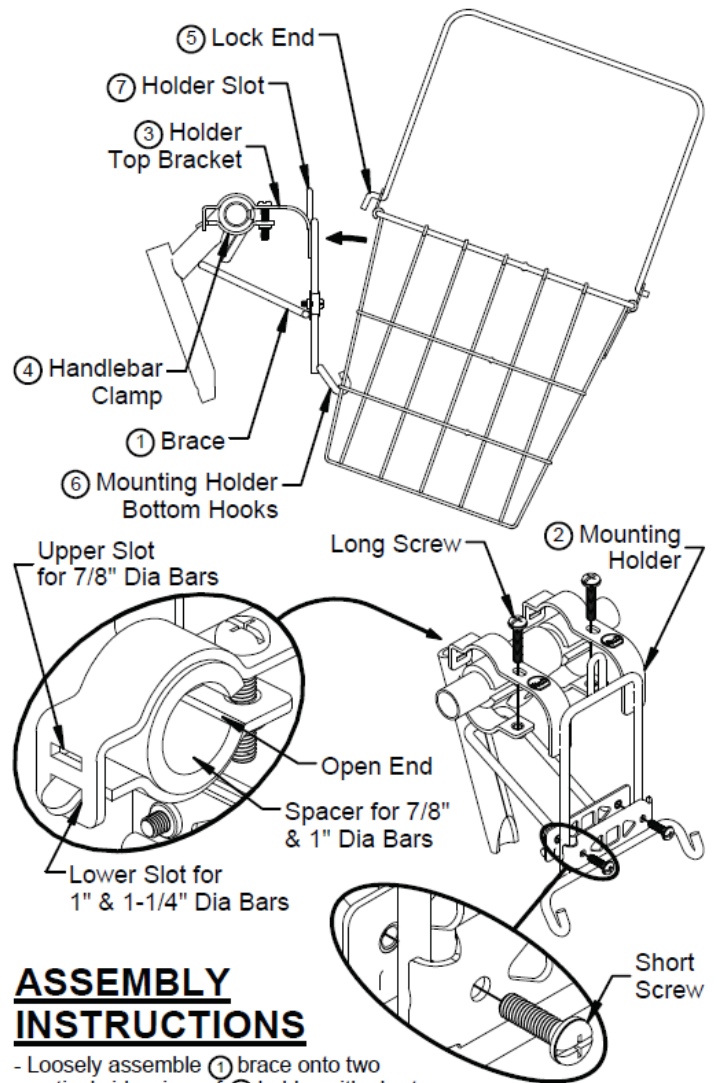
Proudly made in the U.S.A.



Mfgr. No.3133GB (Black)  
©WALD LLC 2015  
Rev.G, 6/18/2015



WARNING : This product contains a chemical known to the State of California to cause cancer.



## ASSEMBLY INSTRUCTIONS

- Loosely assemble ① brace onto two vertical side wires of ② holder with short screws. Preferably angle brace upward toward Stem as shown.
- Center holder and hang ③ holder top brackets over handlebar.
  - If mounting to a 7/8" handlebar use upper slot on the holder ③ top bracket and if to a 1" or 1-1/4" handlebar, use lower slot.
  - If clamping onto a 7/8" or 1" portion of handlebar, insert rubber spacer as shown with open end towards screw.
  - Loosely assemble two ④ handlebar clamps with long screws.
- Attach basket to holder.
  - Hold basket so ⑤ lock end of handle is toward holder.
  - Center basket with holder and insert lower basket frame wire over bottom hooks of holder as shown.
  - Raise handle upright and insert ⑤ lock end of handle through ⑦ slot at top of holder.
  - Lay handle flat to lock.
- Adjust holder ① brace vertically on holder side wires until basket is in proper position.
- Remove basket from holder
  - Raise basket handle upright.
  - Pull away from holder and lift basket from bottom hooks of holder.
- Tighten all holder fittings securely.

### ⚠ WARNING

- DO NOT overload basket. Overloading basket may cause difficulty in steering and/or loss of bicycle control which could result in injury.
- DO NOT use on bicycles with a carbon fiber handlebar.