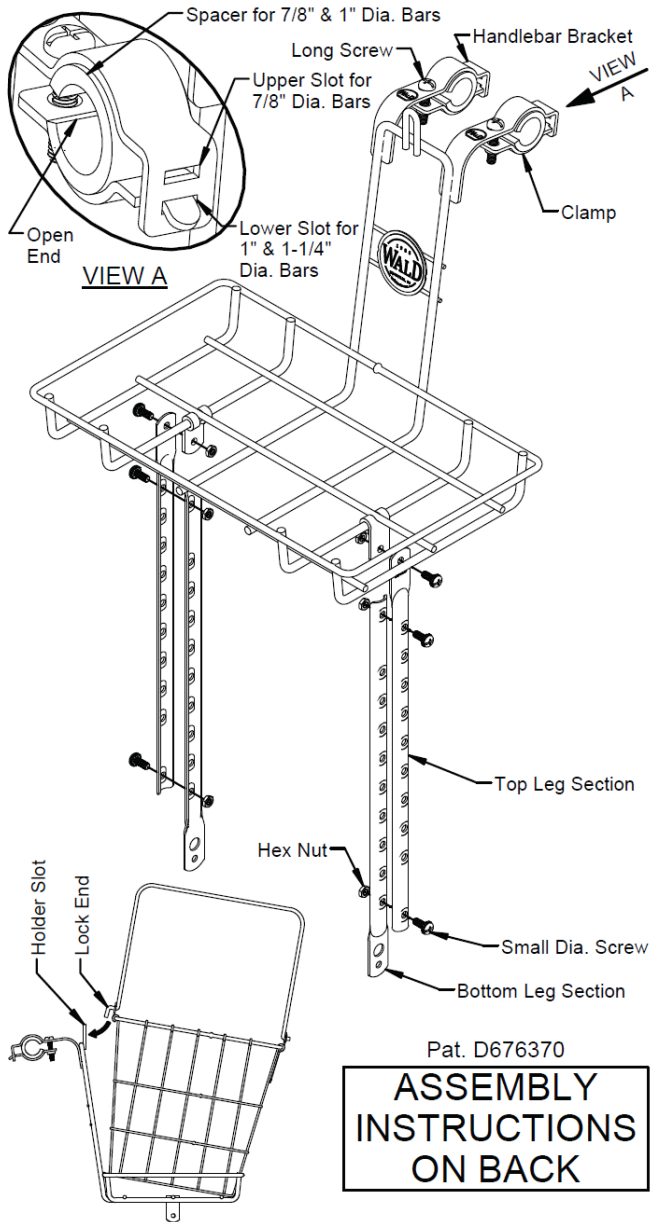


# WALD MULTI-FIT FRONT BASKET / RACK COMBO

- Fits 7/8", 1" & 1-1/4" Dia Bars
- Comes with metric fasteners
- Basket easily removed for carrying



Pat. D676370  
**ASSEMBLY INSTRUCTIONS ON BACK**

Proudly made in the U.S.A.



Mfgr. No.3339GB  
 ©WALD LLC 2015  
 Rev.C, 6/18/2015

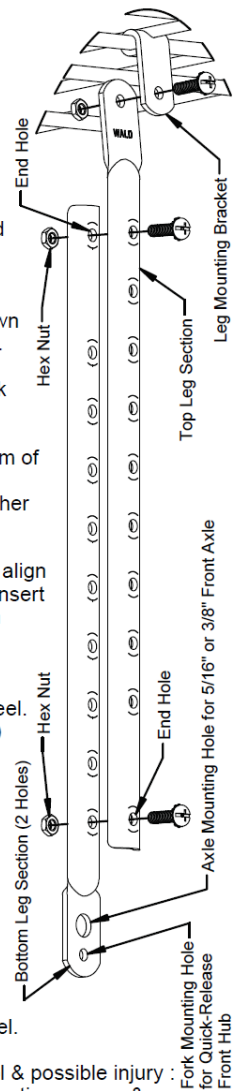


WARNING : This product contains a chemical known to the State of California to cause cancer.

## Assembly Instructions :

**IMPORTANT :**  
 - Use wrench & screwdriver to fully tighten all nuts & screws

1. Fasten rack to handlebar with clamps using larger diameter long screws.
  - If mounting to a 7/8" handlebar use the upper slot on the handlebar bracket and if to a 1" or 1 1/4" handlebar, use the lower slot.
  - If clamping onto 7/8" or 1" portion of handlebar, insert rubber spacer as shown in View A with open end towards screw.
2. Attach top leg sections (marked "WALD") to leg mounting brackets on bottom of rack with small diameter screws & hex nuts. Loosely tighten.
3. Adjust legs to the required length so bottom of rack is fairly level. Put the top leg to the outside & connect top & bottom legs together with smaller diameter screws & hex nuts (as shown).  
 Note: Use end hole of each leg section & align with adjusting hole in mating leg section. Insert screws through outside of leg with nuts on inside.
4. When mounting rack legs to axle, install one leg at a time.
  - A. Remove axle nut from one side of wheel.
  - B. Place axle mounting hole (larger hole) on axle.
  - C. Replace axle nut & tighten.
  - D. Repeat steps 4A thru 4C for other side.
  - E. Be sure wheel is aligned properly in fork. If not, loosen axle nut(s), re-adjust & tighten.
 Note: If bicycle has a quick-release front hub, see your bicycle dealer for attachment screws & proper mounting.
5. Once legs are installed, adjust handlebar bracket so that rack does not rub tire or fender. Bottom of rack should be fairly level.
6. Completely tighten all screws & nuts.  
 The following could result in loss of control & possible injury : failure to tighten rack screws & nuts, leg section screws & nuts, wheel axle nuts or failure to have wheel quick-release mechanism properly adjusted.  
 Please consult a bicycle dealer or your bicycle owner's manual for applicable tightening/adjusting requirements.  
 Note: Periodically check that all fasteners are tight.
7. To attach basket to rack.
  - Hold basket so lock end of handle is toward rack.
  - Set basket down in rack (as shown).
  - Raise handle upright and insert lock end of handle through slot at top of rack.
  - Lay handle down flat to lock.
8. To remove basket from rack.
  - Raise basket handle upright.
  - Pull away from rack and lift basket.



### ⚠WARNING!

- **DO NOT** overload Basket/Rack.  
 Overloading Basket/Rack or not securing item(s) in Basket or on Rack may cause difficulty in steering and/or loss of bicycle control which could result in injury.
- **DO NOT** bend legs or leg mounting tabs.
- **DO NOT** mount legs to inside of the bicycle's front fork blades. Mount only to the outside of the bicycle's front fork blades.
- **DO NOT** assemble a quick-release front hub through leg holes. The legs are to be mounted to bolt on front axles or to fork eyelets.
- **DO NOT** use on bicycles with carbon fiber front fork or handlebar.
- **DO NOT** use on bicycles with a front suspension or springer fork.